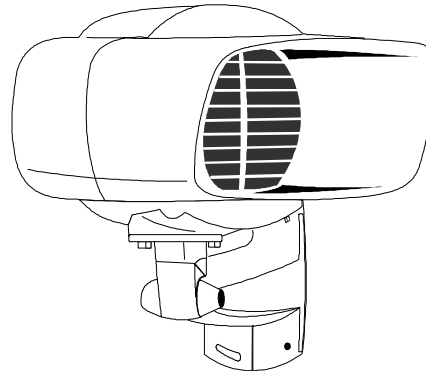
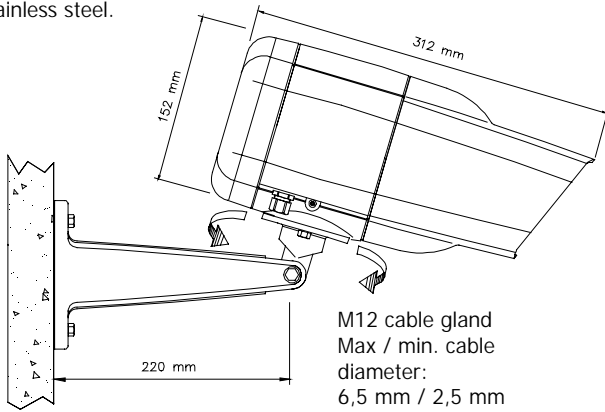


All outside nuts and screws in stainless steel.



Optional with stainless steel bracket

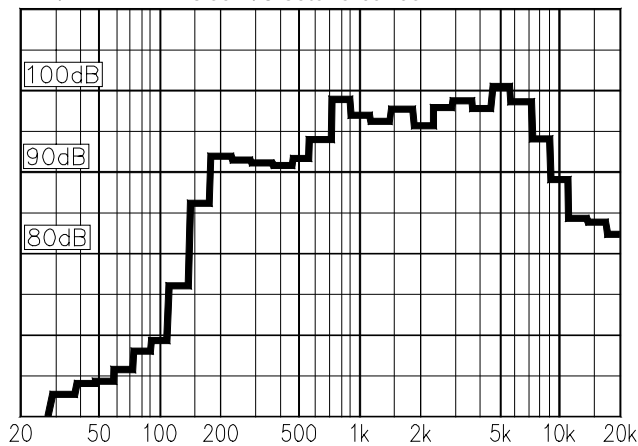
50/100 Volt Combined Transformer:

5 : 6 100 Volt line
5 : 8 50 Volt line

Secondary nominal tapings:

1 : 4 30,0 W
1 : 3 15,0 W
2 : 4 10,0 W
1 : 2 7,5 W
3 : 4 3,5 W
2 : 3 2,0 W

1W/1m Pink Noise 1/3 octave bands



Material / Colour..... Polyamide / RAL 7035
Mounting Polyamide Swivel Bracket
Termination Internal screw terminals
Weight 3,3 kg
IP-rating 55
Max. / min. amb. temp 150 °C / -40 °C
Standard version 50 V / 100 V transformer
Rated / max. power 30 W / 50 W
SPL 1W/1m..... 88 dB
SPL rated power 105 dB
Effective freq. range 70 – 20000 Hz
Dispersion (-6dB) 1kHz / 4kHz 110° / 40°
Directivity factor, Q.....

Installation, Operation and Maintenance Procedures

- When mounting the loudspeaker please ensure that it is re-assembled in the same manner in which it was received.
- Comes with a unique bracket system which allows multiple positioning options.
- For optimum performance, always use the correct voltage / power and operate within the frequency limits as stated.
- Do not open loudspeaker when energized.
- This loudspeaker is supplied with a 2 year warranty against defective workmanship.

Most of our products are available in different colors, impedances and power ratings.

