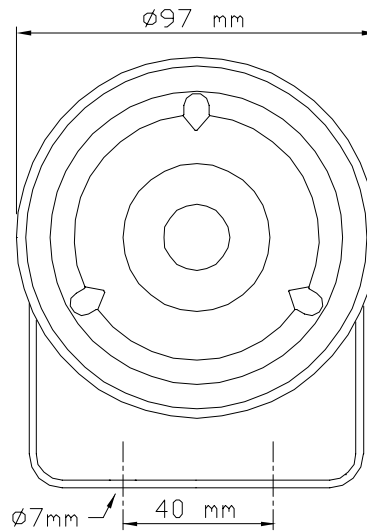
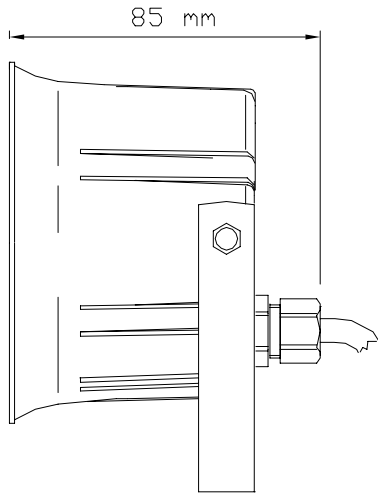
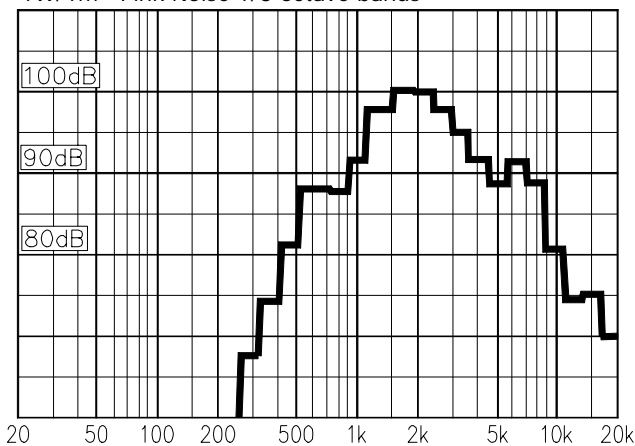


All outside nuts and screws in stainless steel.



1W/1m Pink Noise 1/3 octave bands



Material / Colour.....ABS, polyamide / RAL 7035
 Mounting Bracket
 Termination Cable, 0,5m
 Weight 0,5 kg
 IP-rating 67
 Max. / min. amb. temp 90 °C / -40 °C
 Standard version 8 Ω
 Rated / max. power 6 W / 15 W
 SPL 1W/1m..... 101 dB
 SPL rated power 108 dB
 Effective freq. range 500 – 7500 Hz
 Dispersion (-6dB) 1kHz / 4kHz 170° / 70°
 Directivity factor, Q (2kHz) 4,3

Installation, Operation and Maintenance Procedures

- To change the position of the loudspeaker please adjust the bracket (by loosening / tightening the screws) as required.
- For optimum performance, always use the correct voltage / power and operate within the frequency limits as stated.
- This loudspeaker is supplied with a 2 year warranty against defective workmanship.

Most of our products are available in different colors, impedances and power ratings.

