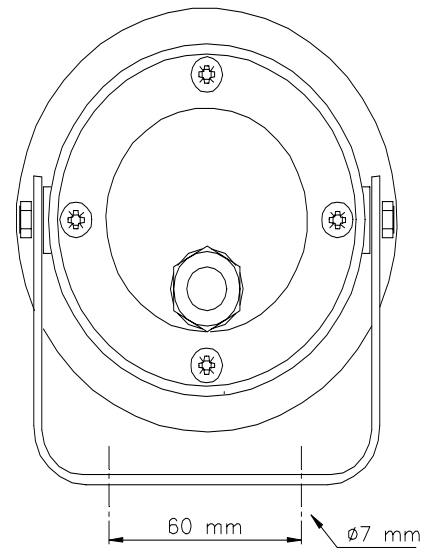
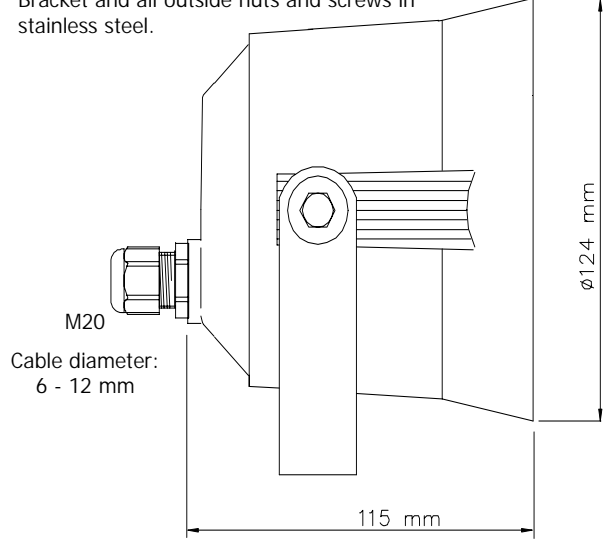


Bracket and all outside nuts and screws in stainless steel.



Transformer:  
100 Volt line

Primary nominal  
tappings:  
1 : 2 8,0 W  
1 : 3 4,0 W  
1 : 4 2,0 W

1W/1m Pink Noise 1/3 octave bands



Material / Colour.....Aluminium alloy (LM-6) / RAL 7031  
 Mounting ..... Bracket  
 Termination ..... Screw terminals  
 Weight ..... 1,5 kg  
 IP-rating ..... 67  
 Max. / min. amb. temp ..... 150 °C / -50 °C  
 Standard version ..... 100 V transformer  
 Rated / max. power ..... 8 W / 10 W  
 SPL 1W/1m..... 103 dB  
 SPL rated power ..... 111 dB  
 Effective freq. range ..... 500 – 6000 Hz  
 Dispersion (-6dB) 1kHz / 4kHz ..... 150° / 45°  
 Directivity factor, Q.....

**Installation, Operation and Maintenance Procedures**

- When mounting the loudspeaker please ensure that it is re-assembled in the same manner in which it was received.
- To change the position of the loudspeaker please adjust the bracket (by loosening / tightening the screws) as required.
- For optimum performance, always use the correct voltage / power and operate within the frequency limits as stated.
- Do not open loudspeaker when energized.
- The loudspeaker should be checked on a regular basis to avoid any build up of debris.
- Fasten lid with a torque of 2 - 3 Nm.
- This loudspeaker is supplied with a 2 year warranty against defective workmanship.

Most of our products are available in different colors, impedances and power ratings.

