



DNH^{AS}

N-3770 Kragerø
NORWAY

Phone: (47) 35 98 56 00

Fax: (47) 35 98 56 10

E-mail: dnh@dnh.no

Web-site: www.dnh.no

ISO 9001 CERTIFIED

H-62S(T)

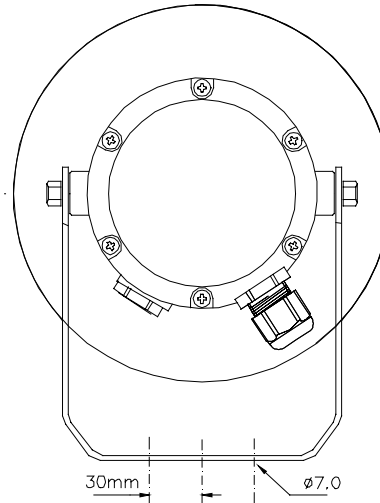
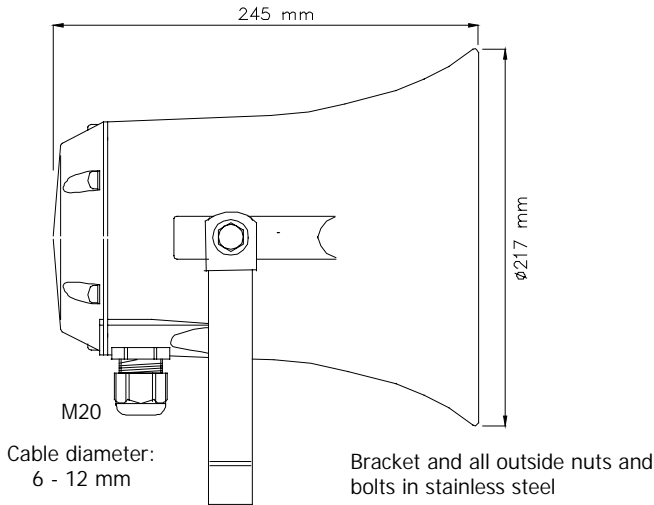
DNH WW Ltd. Phone: (44) 1908 275 000
England Fax: (44) 1908 275 100

E-mail: dnh@dnh.co.uk

DNH GmbH Phone: (49) 040 6569 30-0

Germany Fax: (49) 040 6569 30-30

E-mail: dnh@dnh.de



50/100 Volt Combined Transformer

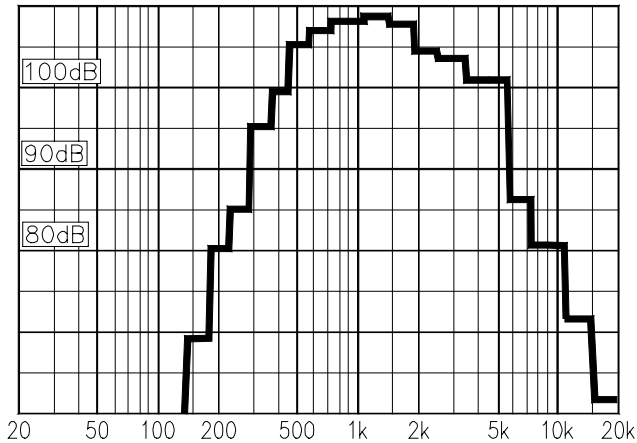
Primary Connectors:
6 : 7 100 Volt line
6 : 9 50 volt line

Secondary nominal tapings:

1 : 4 25,0 W
1 : 3 12,5 W
2 : 4 8,0 W
1 : 2 6,0 W
3 : 4 3,0 W
2 : 3 2,0 W

6 = White, 7 = Green
9 = Red

1W/1m Pink Noise 1/3 octave bands



Material / Colour.....Aluminium alloy (LM-6) / RAL 7031
Mounting Bracket
TerminationScrew terminal
Weight 3,9 kg
IP-rating 55
Max. / min. amb. temp 150 °C / -50 °C
Standard version 50 V / 100 V transformer
Rated / max. power 25 W / 30 W
SPL 1W/1m..... 109 dB
SPL rated power 122 dB
Effective freq. range 300 – 7000 Hz
Dispersion (-6dB) 1kHz / 4kHz 115° / 30°
Directivity factor, Q.....

Installation, Operation and Maintenance Procedures

- When mounting the loudspeaker please ensure that it is re-assembled in the same manner in which it was received.
- To change the position of the loudspeaker please adjust the bracket (by loosening / tightening the screws) as required.
- For optimum performance, always use the correct voltage / power and operate within the frequency limits as stated.
- H-62S is designed to withstand sound shocks (maximum 175 dB).
- Do not open loudspeaker when energized.
- The loudspeaker should be checked on a regular basis to avoid any build up of debris.
- Fasten lid with a torque of 2 - 3 Nm.
- This loudspeaker is supplied with a 2 year warranty against defective workmanship.

Most of our products are available in different colors, impedances and power ratings.

