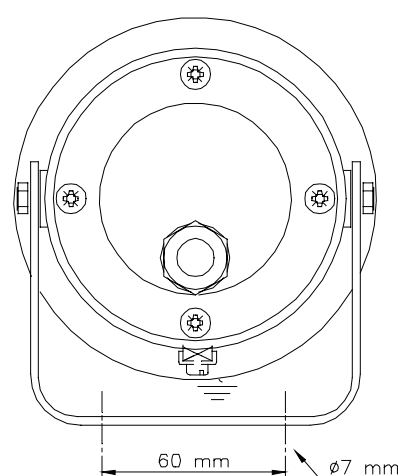
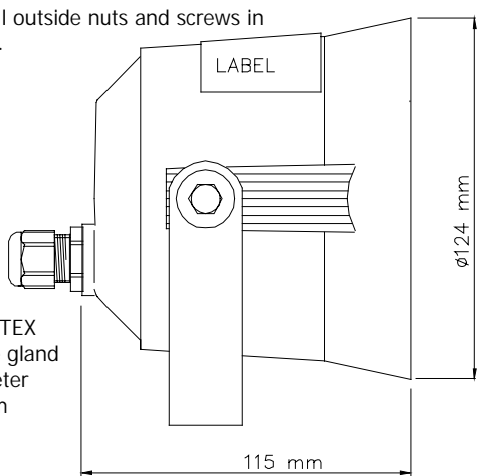


Bracket and all outside nuts and screws in stainless steel.



Transformer:
100 Volt line

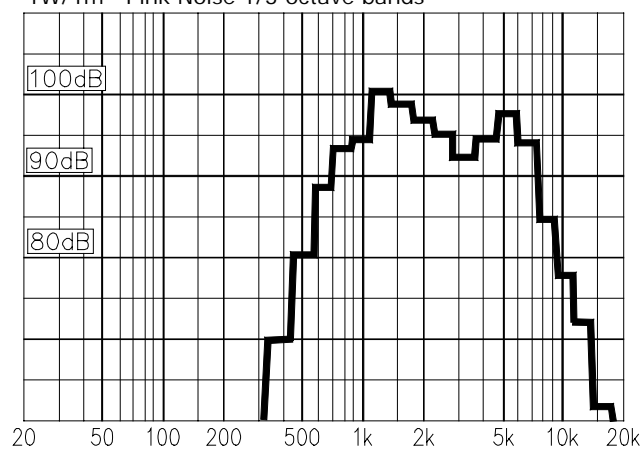
Primary nominal
tappings:
1 : 2 8,0 W
1 : 3 4,0 W
1 : 4 2,0 W

M20 EExe ATEX
approved cable gland
Cable diameter
8 - 13 mm

Certified by / Certification code / Number: NEMKO / EEx dem IIB+H₂ T6 / 01 ATEX 297



1W/1m Pink Noise 1/3 octave bands



Material / Colour.....Aluminium alloy (LM-6) / RAL 7031
 Mounting Bracket
 Termination e-chamber, screw terminals
 Weight 1,8 kg
 IP-rating 67
 Max. / min. amb. temp 40 °C / -20 °C
 Standard version 100 V transformer
 Rated / max. power 8 W / 8 W
 SPL 1W/1m..... 100 dB
 SPL rated power..... 108 dB
 Effective freq. range 600 – 6500 Hz
 Dispersion (-6dB) 1kHz / 4kHz 160° / 45°
 Directivity factor, Q.....

Installation, Operation and Maintenance Procedures

- When mounting the loudspeaker please ensure that it is re-assembled in the same manner in which it was received.
- To change the position of the loudspeaker please adjust the bracket (by loosening / tightening the screws) as required.
- For optimum performance, always use the correct voltage / power and operate within the frequency limits as stated.
- Use only certified/specified cable glands and blanking plugs.
- Do not open loudspeaker when energized.
- The loudspeaker should be checked on a regular basis to avoid any build up of debris.
- Fasten lid with a torque of 2 - 3 Nm.
- Ex-loudspeakers should be earthed correctly using the specially marked screws.
- This loudspeaker is supplied with a 2 year warranty against defective workmanship.

Most of our products are available in different colors, impedances and power ratings.



DNH reserves the right to alter specifications without notice.

Rev. 29.08.2001