



# DNH<sup>AS</sup>

N-3770 Kragerø  
NORWAY

Phone: ..... (47) 35 98 56 00

Fax: ..... (47) 35 98 56 10

E-mail: ..... dnh@dnh.no

Web-site: ..... [www.dnh.no](http://www.dnh.no)

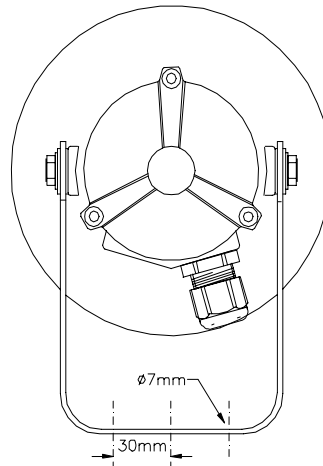
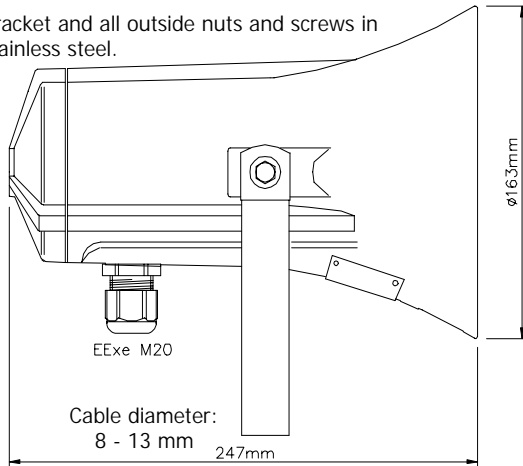
ISO 9001 CERTIFIED

## HS-15IIN(T)

**DNH WW Ltd. England** Phone: ..... (44) 1908 275 000  
Fax: ..... (44) 1908 275 100  
E-mail: ..... dnh@dnh.co.uk

**DNH GmbH Germany** Phone: ..... (49) 040 6569 30-0  
Fax: ..... (49) 040 6569 30-30  
E-mail: ..... dnh@dnh.de

Bracket and all outside nuts and screws in stainless steel.



Combined Transformer

Primary tapings:  
6 : 7    50 Volt line  
7 : 8    100 Volt line

Secondary nominal tapings:

1 : 4    15,0 W  
1 : 3    7,5 W  
2 : 4    5,0 W  
1 : 2    4,0 W  
3 : 4    2,0 W  
2 : 3    0,8 W

For 50 volt remove wire from 8 to 6

Certified by / Certification code / Number:  
Certified by / Certification code / Number:

NEMKO / Ex nA II T3 / Ex 95Y204X  
NEMKO / Ex nA II T5 / Ex 95Y204X

1W/1m Pink Noise 1/3 octave bands



Material / Color ..... Aluminium alloy (LM-6) / RAL 7031  
Mounting ..... Bracket  
Termination ..... e-chamber, screw terminals  
Weight ..... 2,5 kg  
IP-rating ..... 67  
Max. / min. amb. temp ..... 167 °C / -20 °C  
Standard version ..... 50 V / 100 V transformer  
Rated / max. power ..... 15 W / 15 W  
SPL 1W/1m ..... 107 dB  
SPL rated power ..... 118 dB  
Effective freq. range ..... 370 – 7000 Hz  
Dispersion (-6dB) 1kHz / 4kHz ..... 150° / 40°  
Directivity factor, Q.....

### Installation, Operation and Maintenance Procedures

- When mounting the loudspeaker please ensure that it is re-assembled in the same manner in which it was received.
- To change the position of the loudspeaker please adjust the bracket (by loosening / tightening the screws) as required.
- For optimum performance, always use the correct voltage / power and operate within the frequency limits as stated.
- Use only certified/specified cable glands and blanking plugs.
- Do not open loudspeaker when energized.
- The loudspeaker should be checked on a regular basis to avoid any build up of debris.
- Fasten lid with a torque of 2 - 3 Nm.
- This loudspeaker is supplied with a 2 year warranty against defective workmanship.

#### Special conditions:

Ex nA II T3 must use cable gland with minimum IP44 according to IEC 529 and minimum temperature limit 167°C.

Most of our products are available in different colors, impedances and power ratings.



DNH reserves the right to alter specifications without notice.

Rev. 05.11.2002